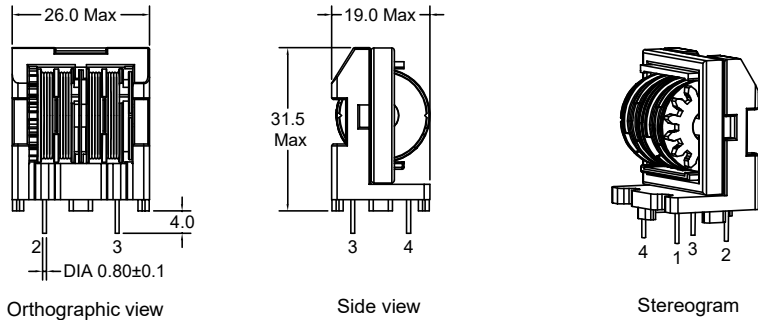


P/N: FACM24V-392Y1R8



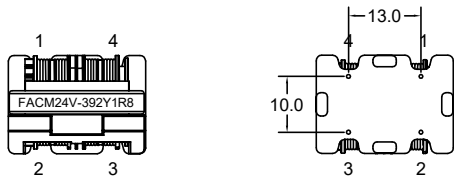
Outline Dimensions (Unit:mm)



Orthographic view

Side view

Stereogram



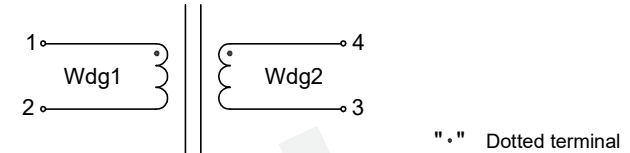
Top view

Bottom view

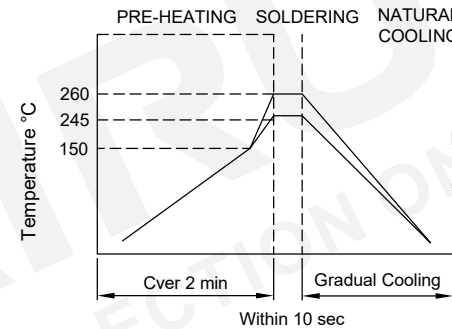
REMARK:

1. Product vacuum impregnation.

Electrical Schematic



Wave Soldering



- Note:
1. Never Contact the ceramic with the iron tip;
 2. 1.0mm tip diameter(max).

Electrical Characteristics

Inductance : L1-2=4-3= 3.9mH Min, at 10KHz, 0.1V.

D.C. Resistance : 1-2= 0.120 ohms Max.
4-3= 0.120 ohms Max.

Rated Current : 1.80A

Turns Ratio : Wdg1:Wdg2=1:1±1%, at 20KHz, 1V.

Hipot : Coil-Coil : 1500VAC/3mA/2S.

General Properties:

Operating Temperature: -40°C to +105°C
(Temperature rise included).

Storage Temperature: -25°C to +85°C.

Storage Humidity: RH10%~70%.

Weight: ≈19.5g.

List of UL Certificate:

No.	Part Name	Mat'l Description	Supplier	UL Number
1	Bobbin	ET24-4S/PBT	Chang Chun Plastics Co Ltd	E59481
2	Base	ET24/T375J	Chang Chun Plastics Co Ltd	E59481
3	Copper wire	2UEW-F/155C	Dong Guan YiDa Industrial Co Ltd	E344055
		2UEW-F/155C	Elektrisola Hangzhou Co Ltd	E258243
4	Core	ET24 TS10	TDG Holding Co Ltd	N/A
		ET24 GH10	Su Zhou Guanda Magnet Co Ltd	N/A
5	Varnish	T-4260(a)/MW80-C	SuZhou TaiHu Electric Advanced Material Co Ltd	E228349

				Tianchang Fuan Electronic Co Ltd www.fuantronics.net TEL: +86-550-7814888 FAX: +86-550-7831133		 Tolerances unless otherwise specified: (X)±0.50 (XX)±0.25 Unit of measurement: mm		Make: Qiumei.Liu Checked: Beson. zhan Approved: Anson. zhan		DRAWING TITLE ET24V COMMON-CODE FILTER INDUCTOR Material Number: A24CM24VS070		Customer P/N: Document/Rev: 00 Specification Sheet: 1 of 1 Date of Recognition: Mar./13/2020	
REV	DESCRIPTION	APPD	DATE										